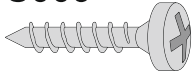
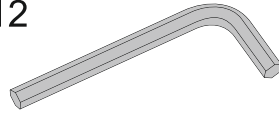


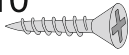
BTS009 4x



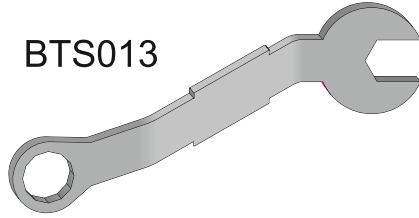
BTS012 1x



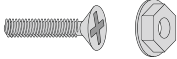
BTS010 2x



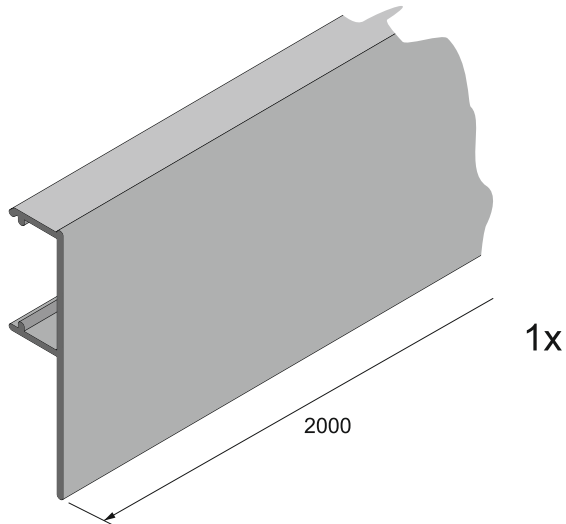
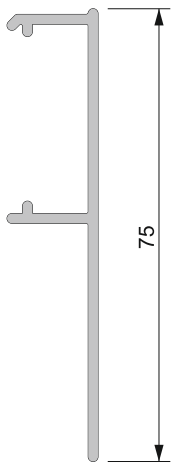
BTS013 1x



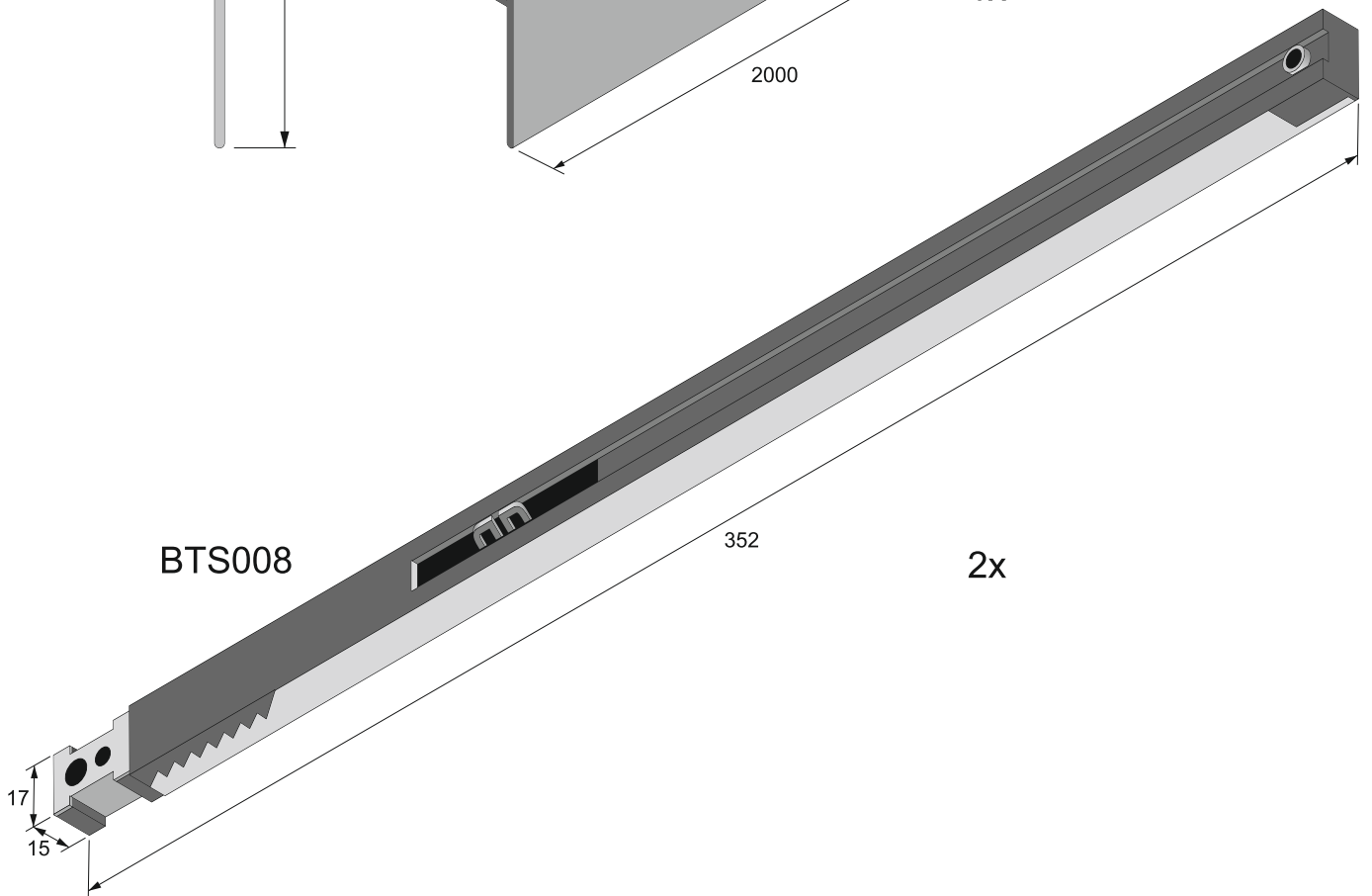
BTS011 4x



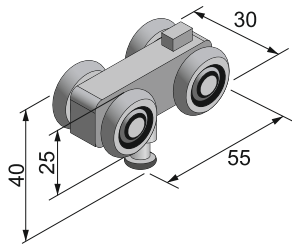
BTS007



BTS008

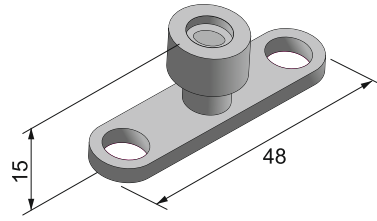


BTS001



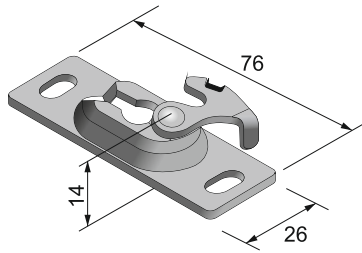
2x

BTS002



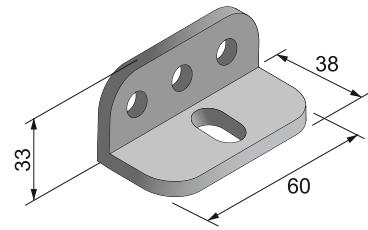
1x

BTS003



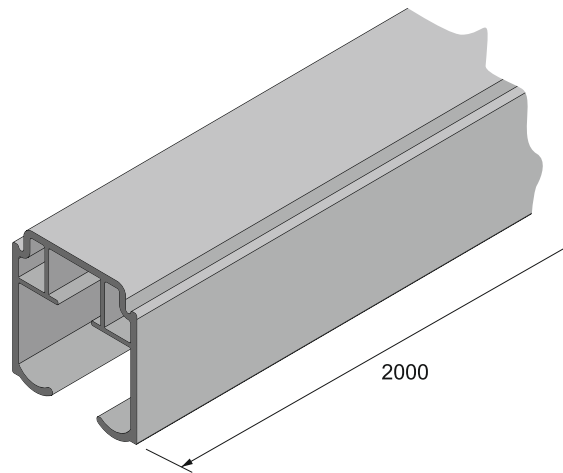
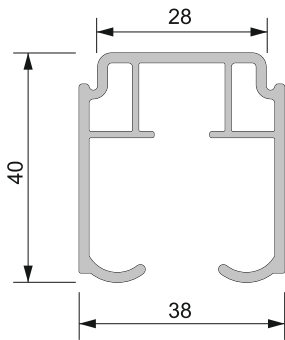
2x

BTS004



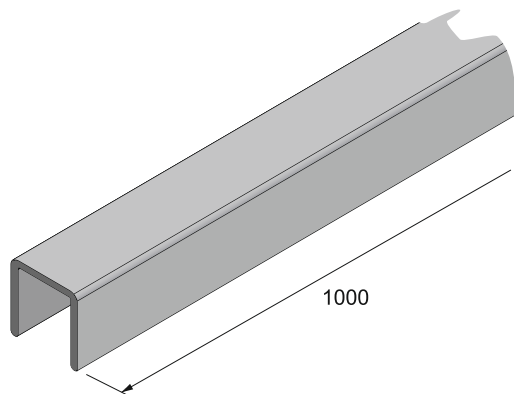
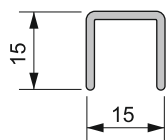
4x

BTS005



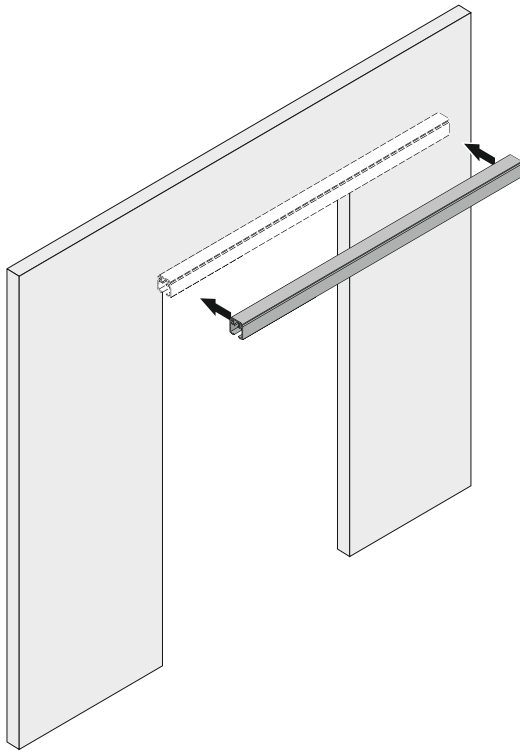
1x

BTS006



1x

1

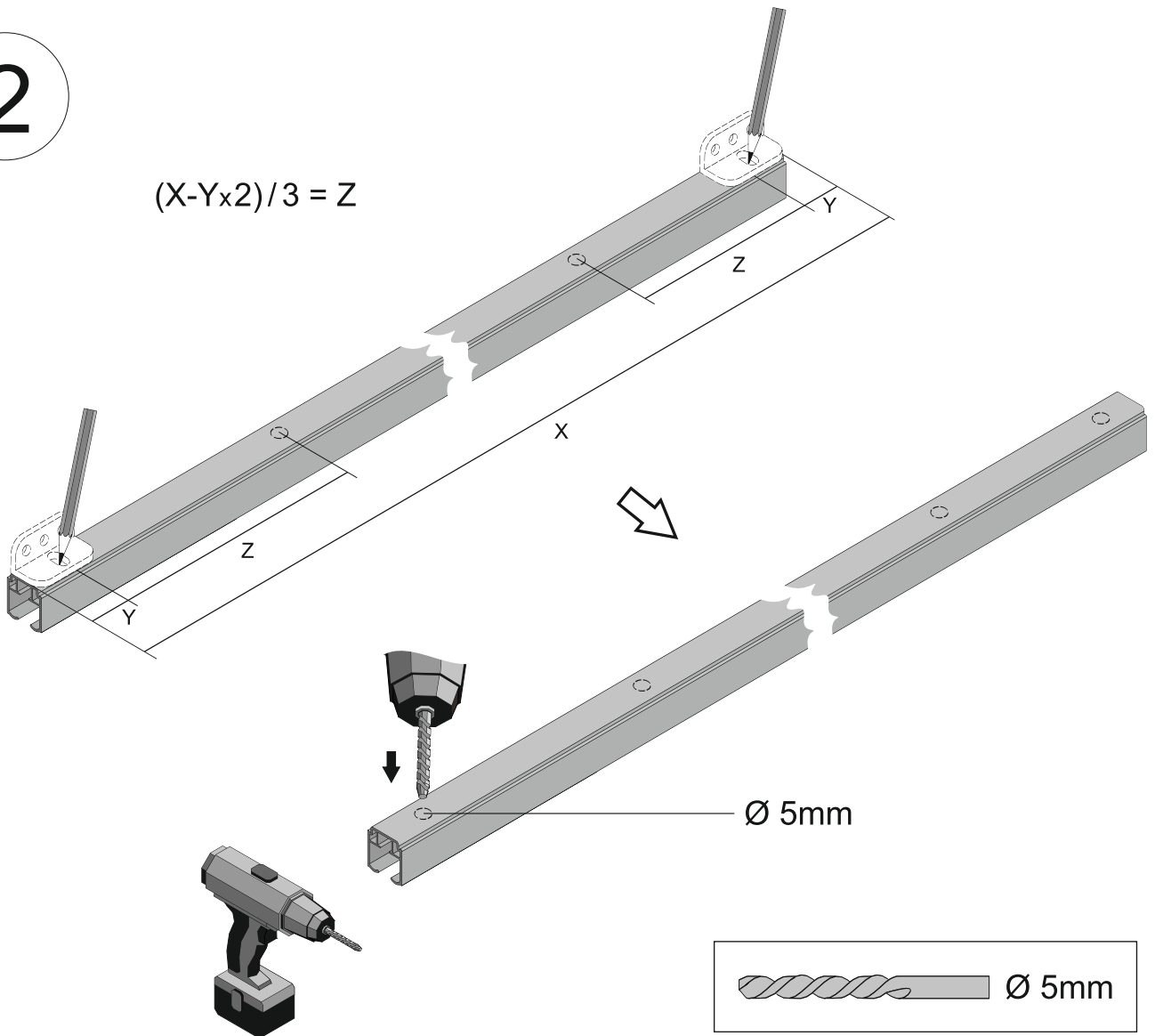


BTS004

BTS005

2

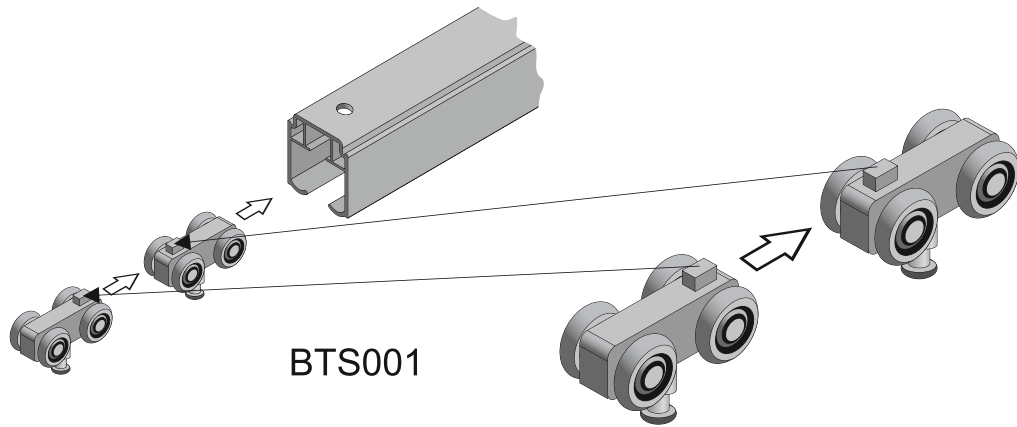
$$(X - Y \times 2) / 3 = Z$$



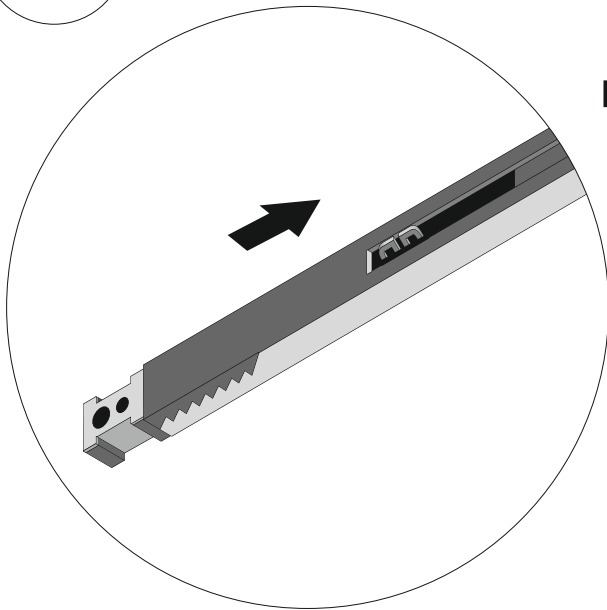
Ø 5mm

Ø 5mm

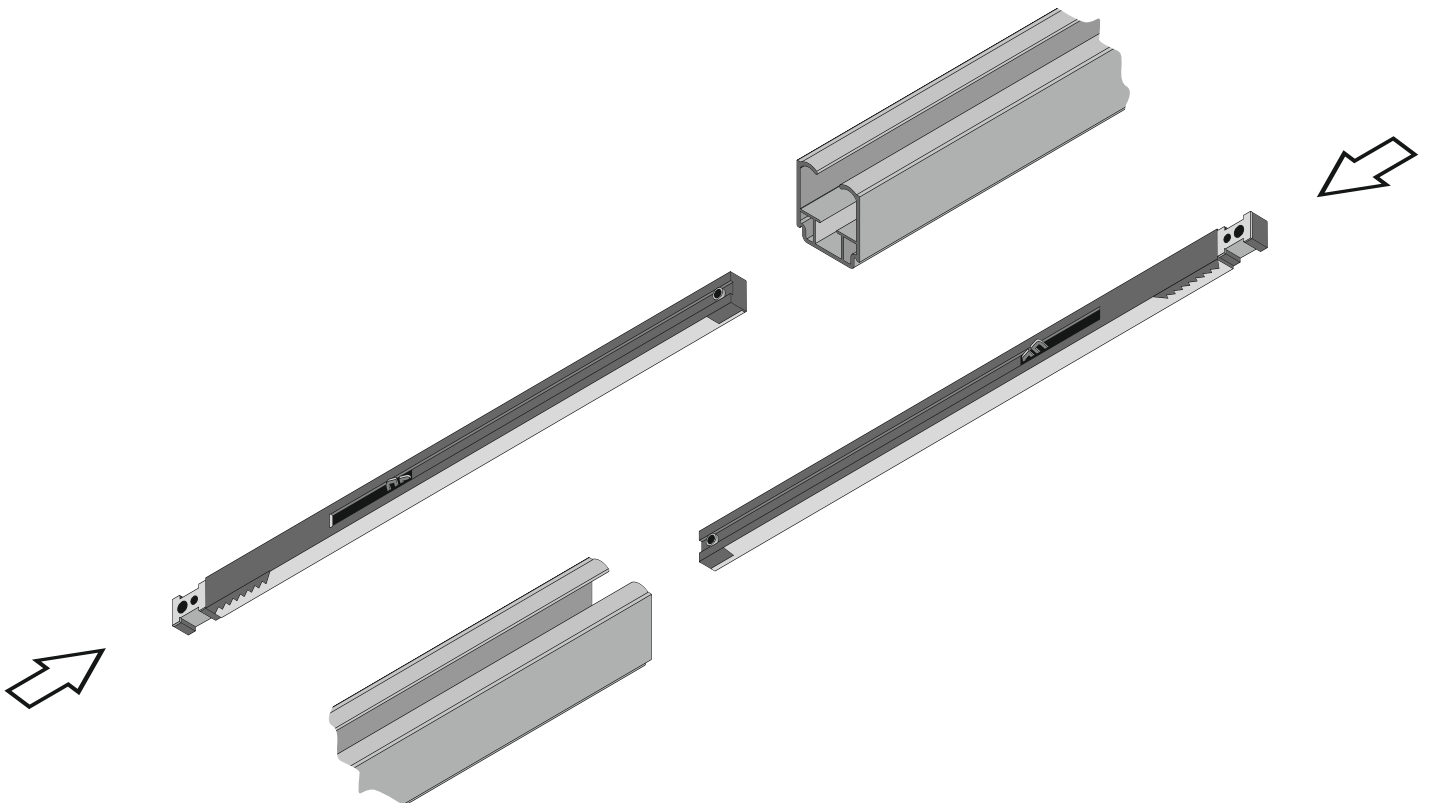
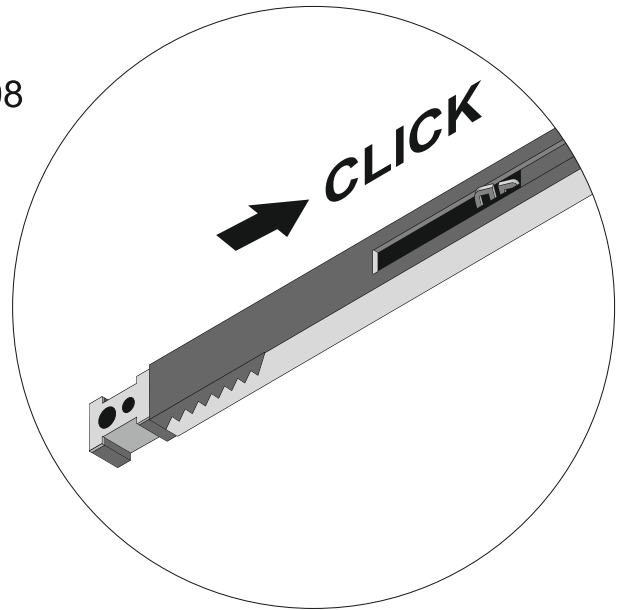
3

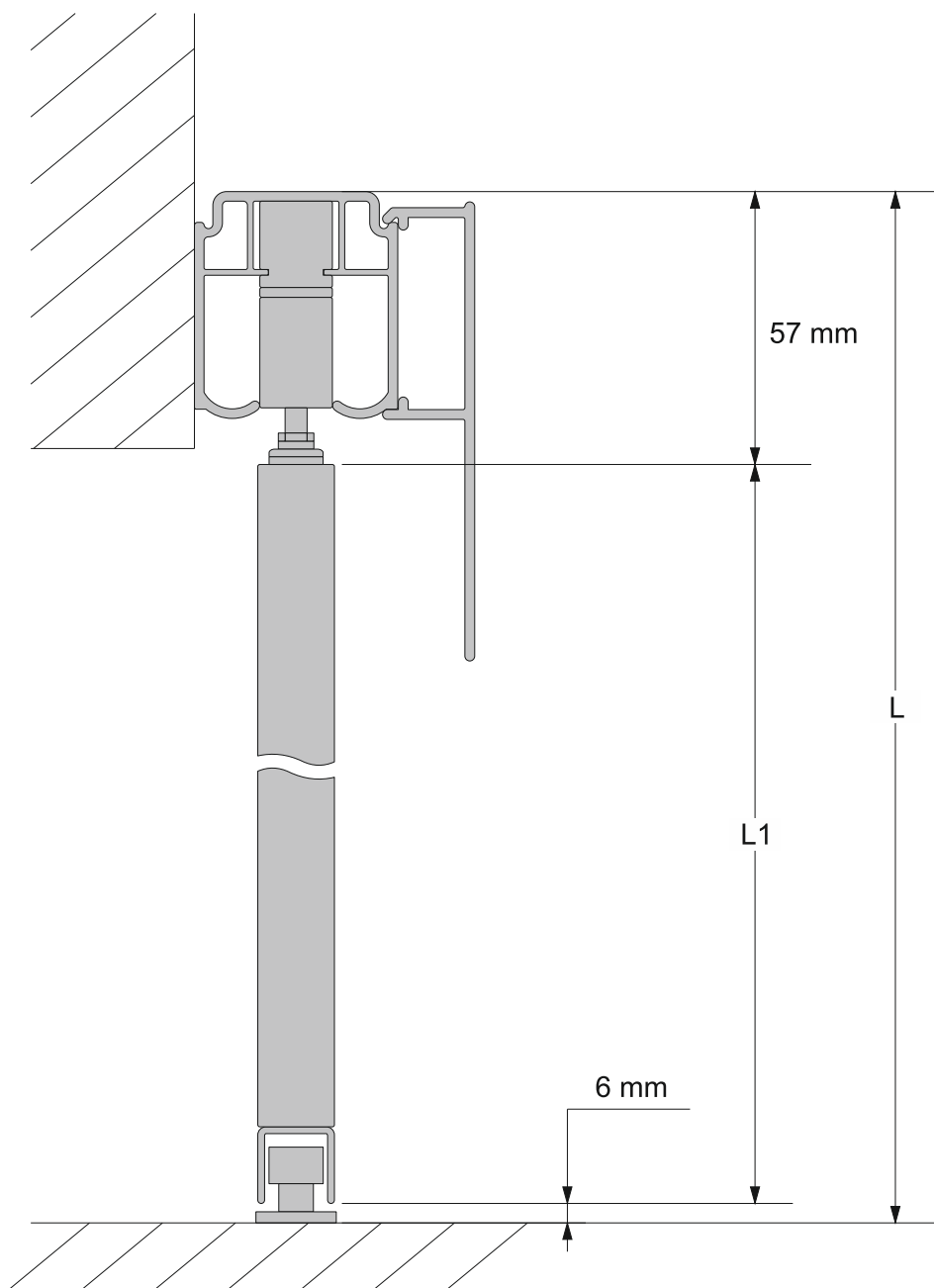


4



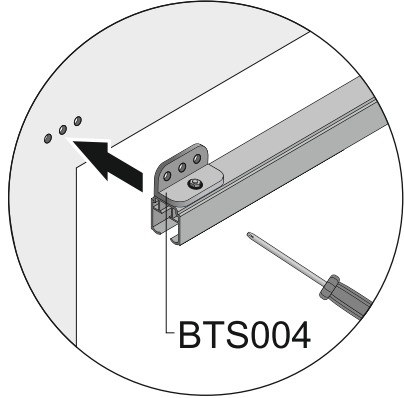
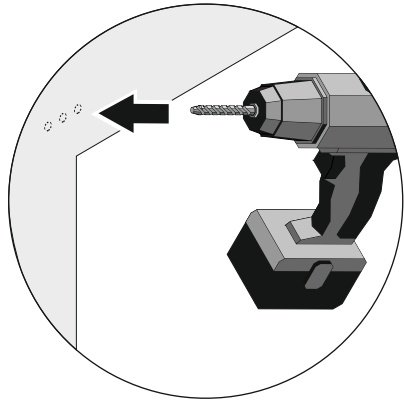
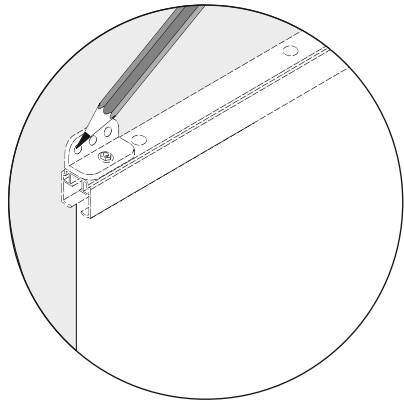
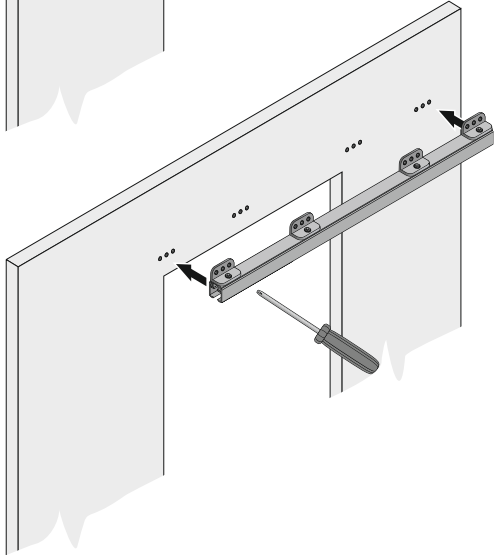
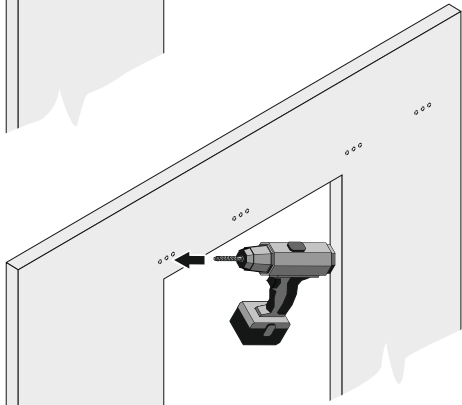
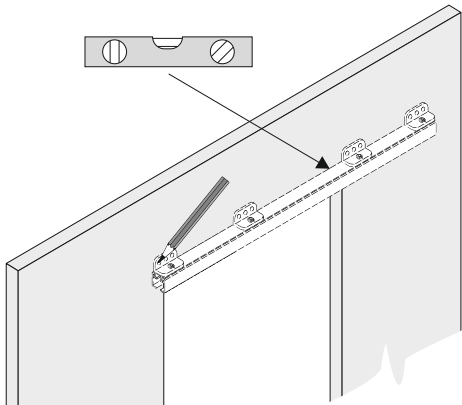
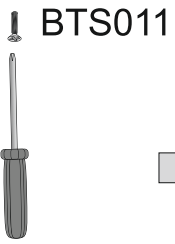
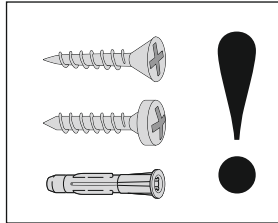
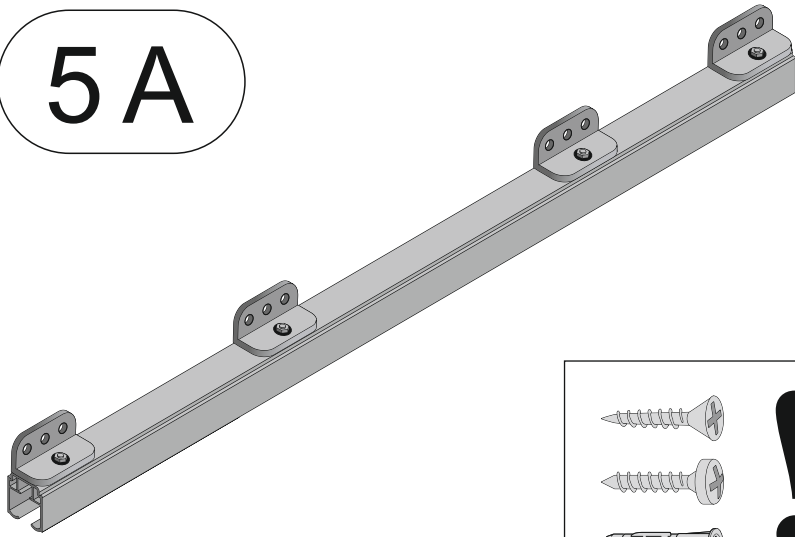
BTS008





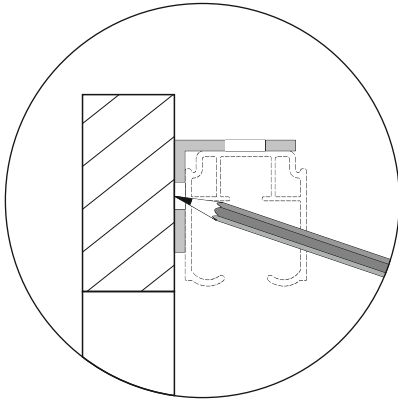
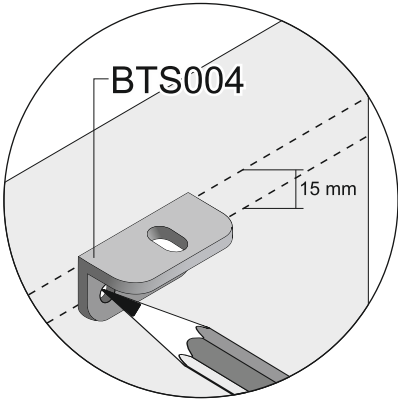
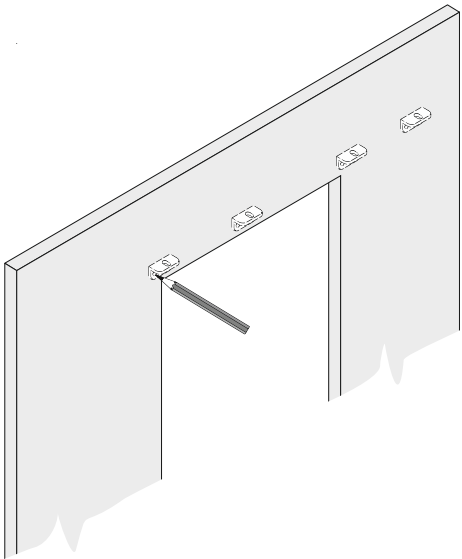
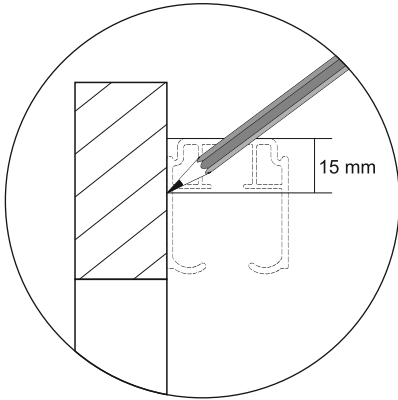
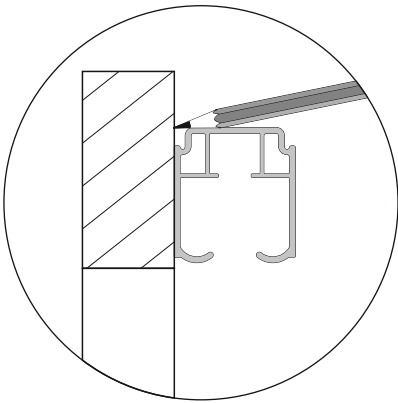
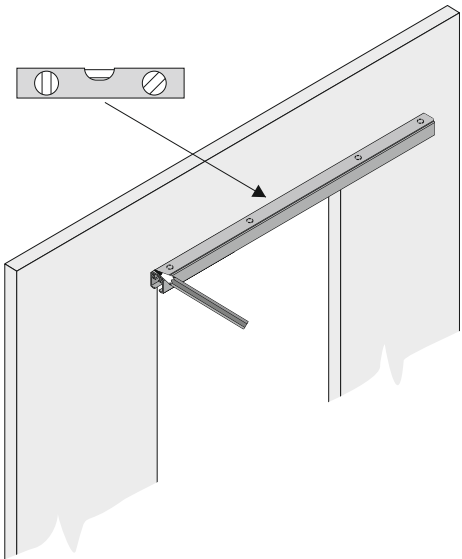
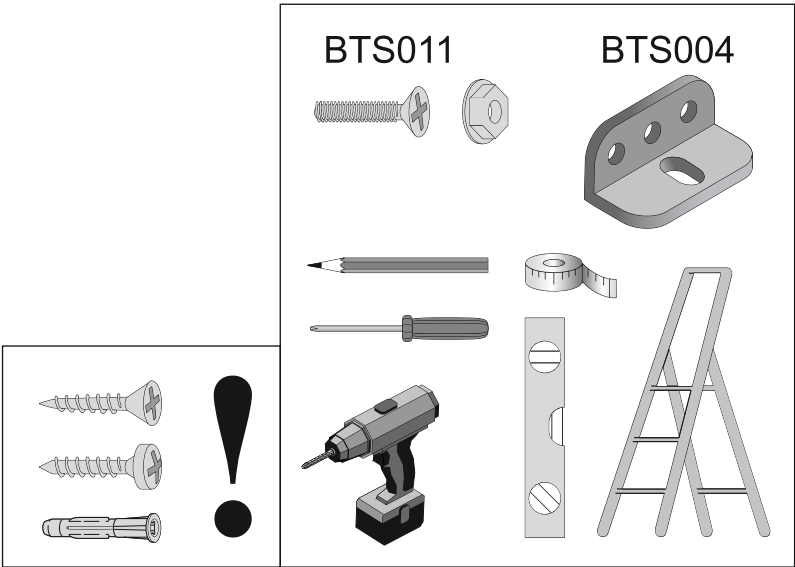
$$L1 = L - 57 - 6$$

# 5 A

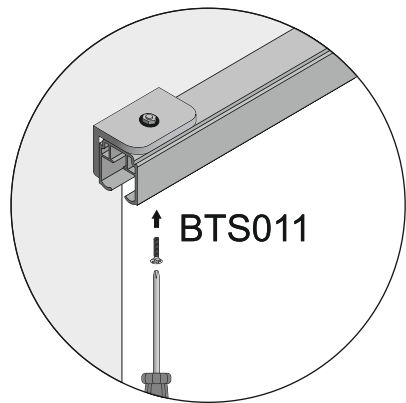
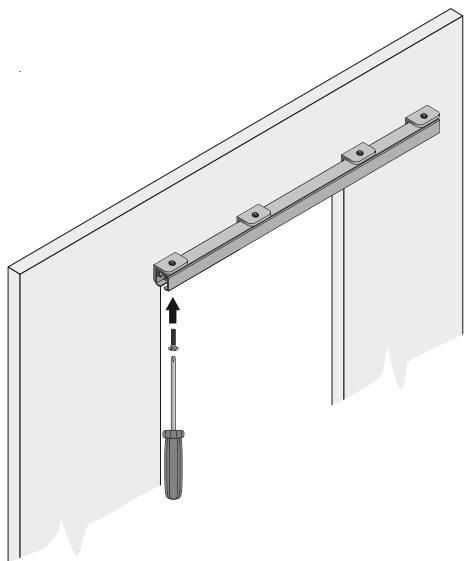
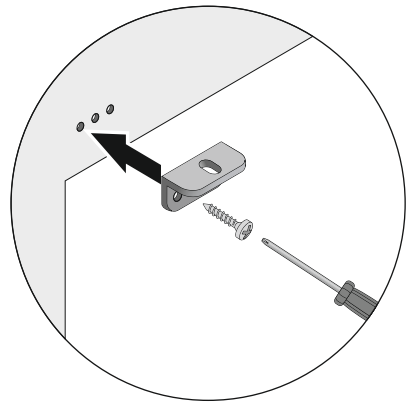
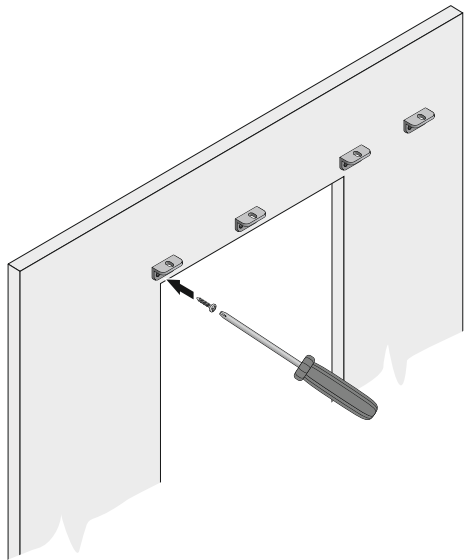
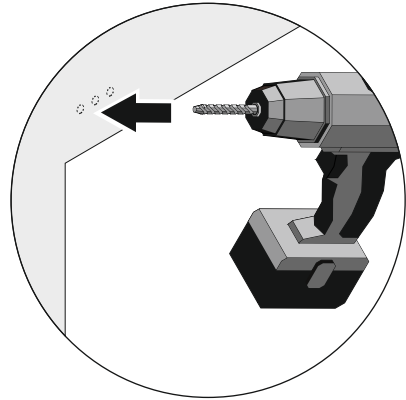
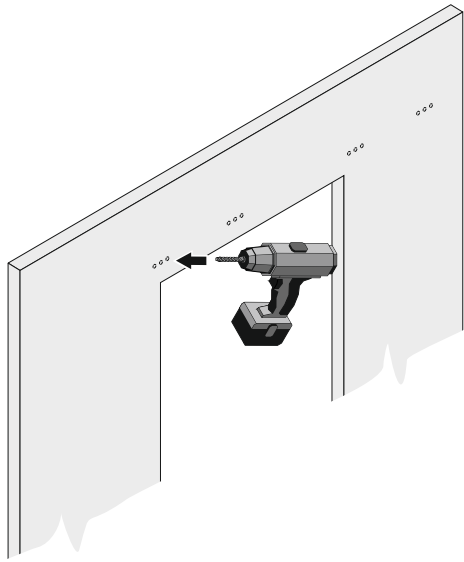


BTS004

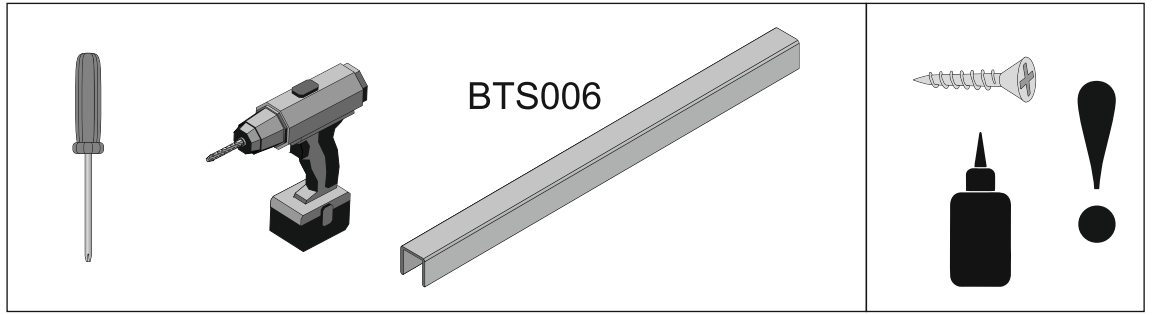
# 5 B



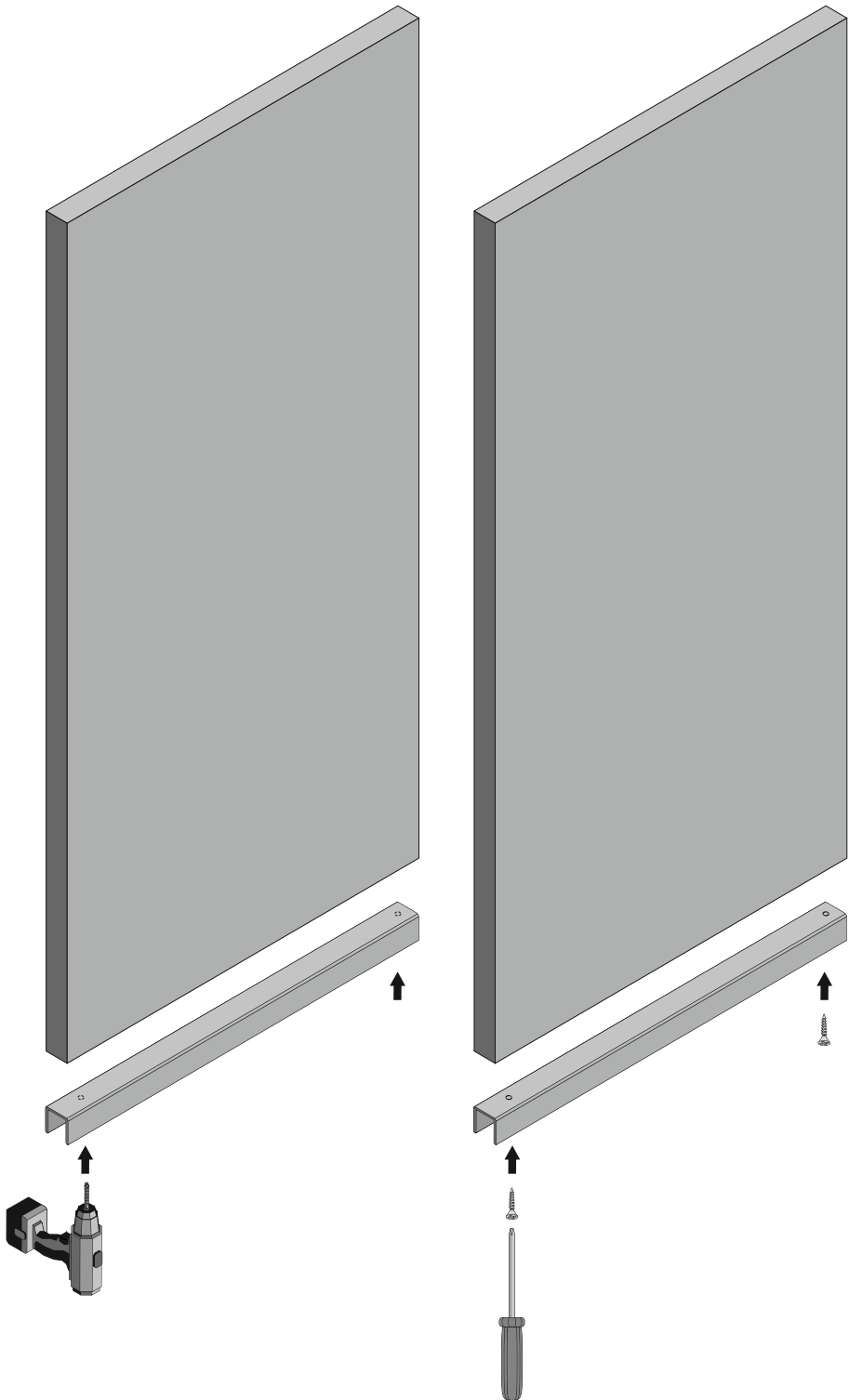




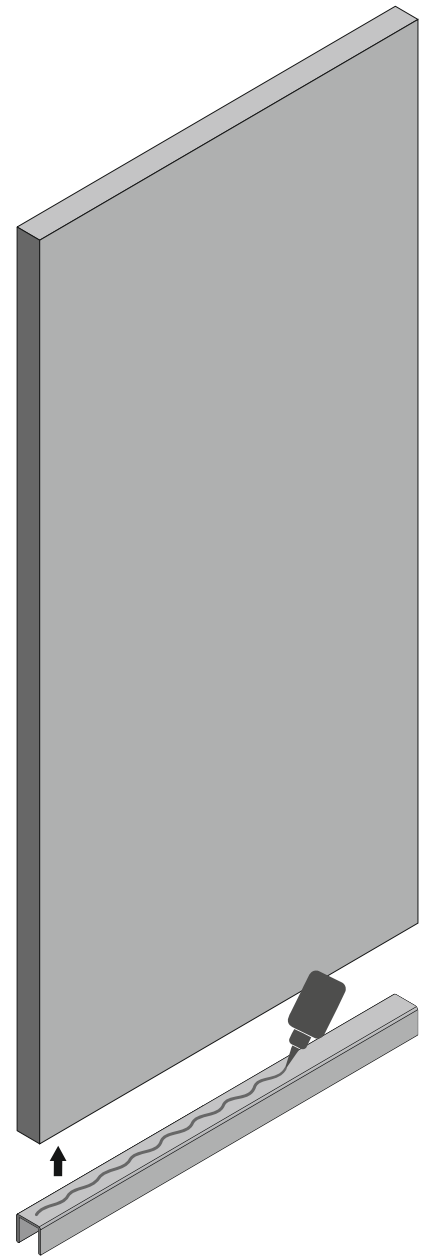
6



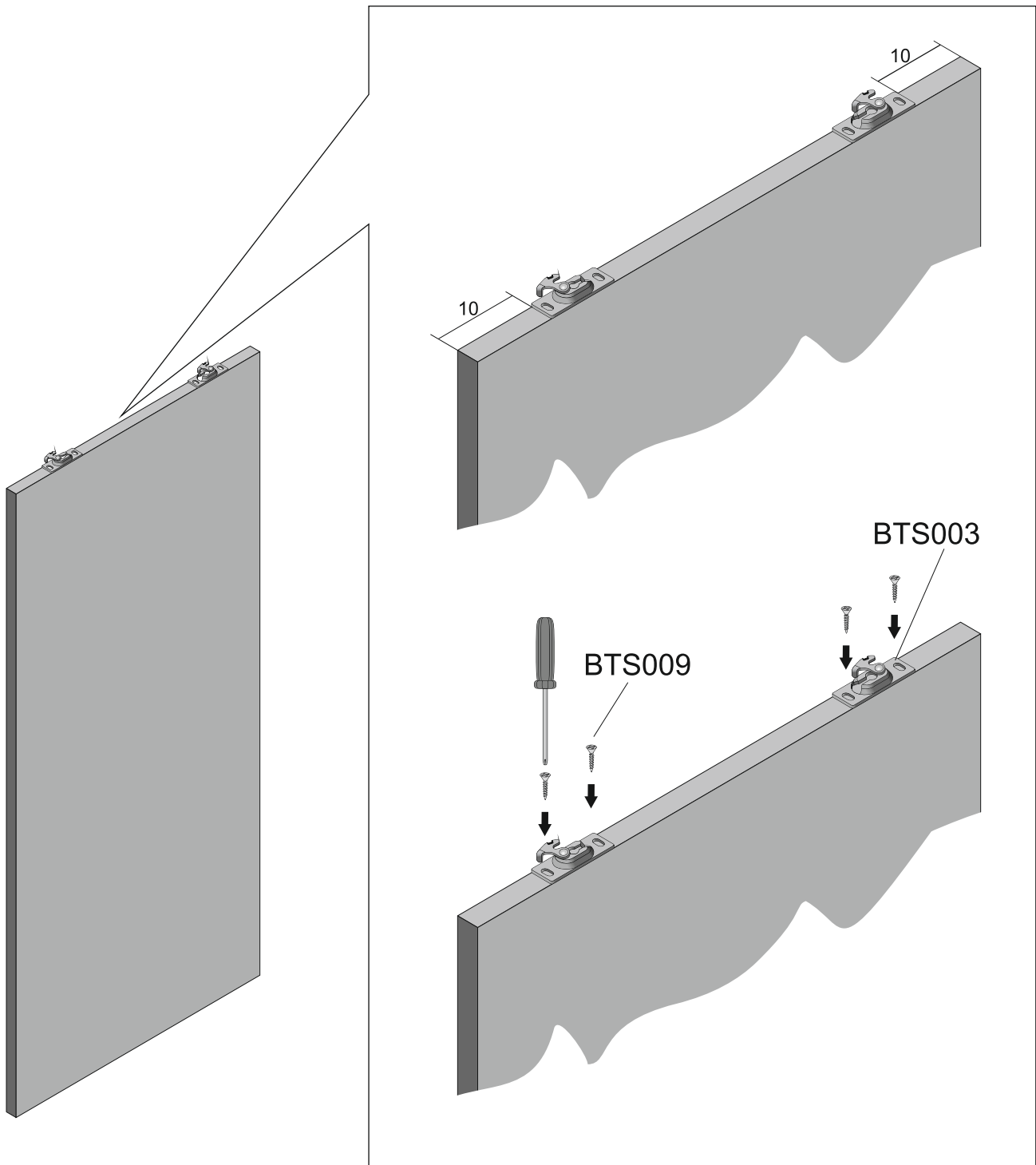
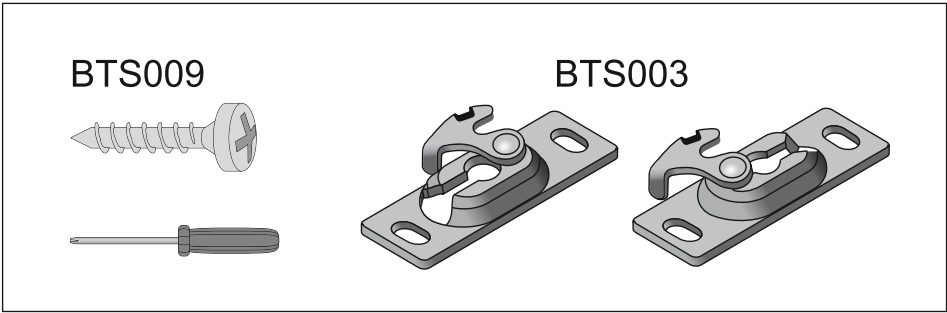
A



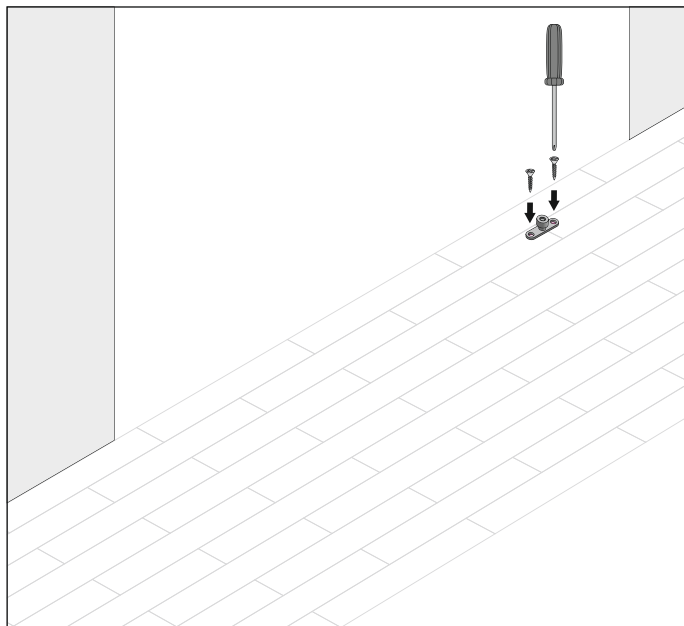
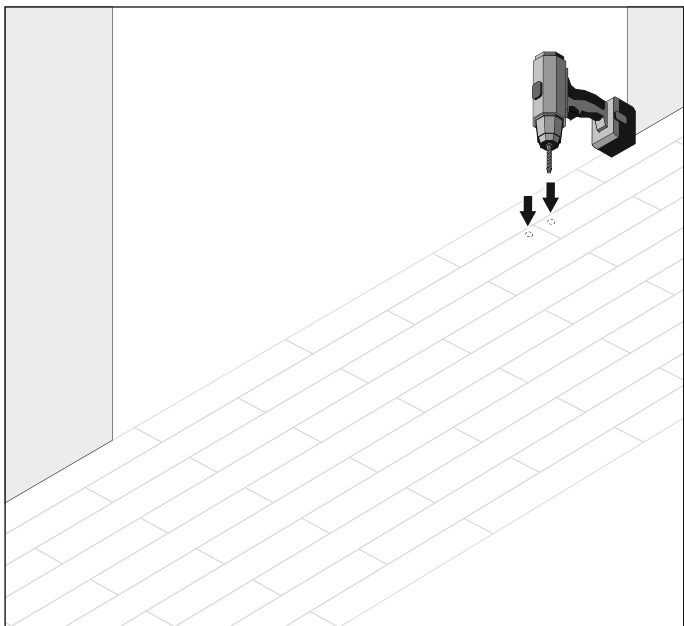
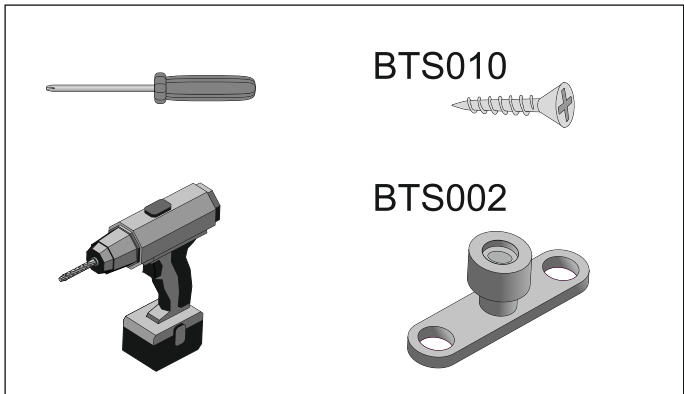
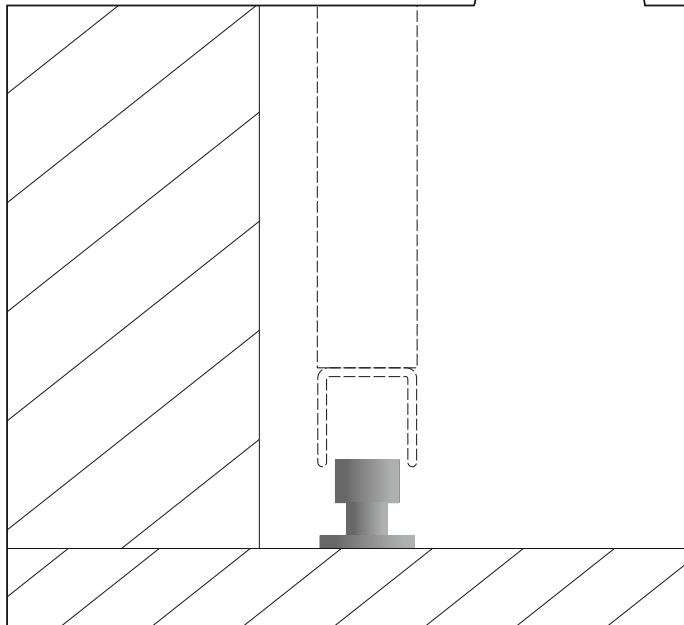
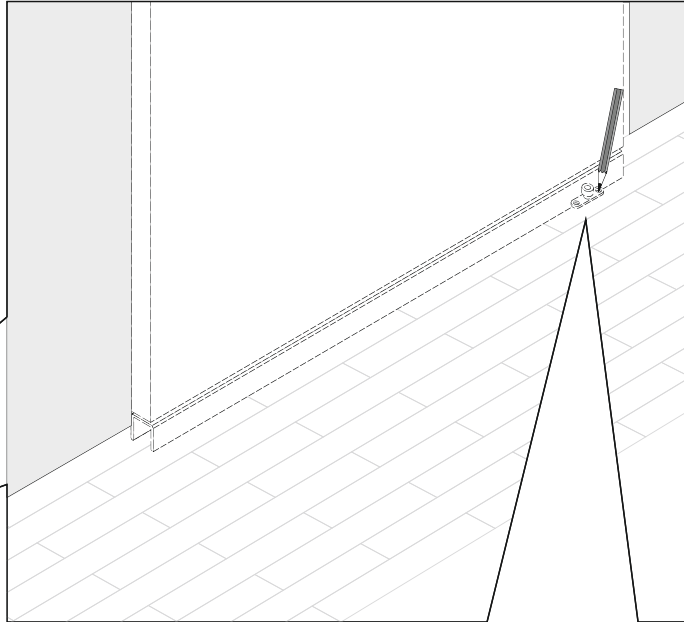
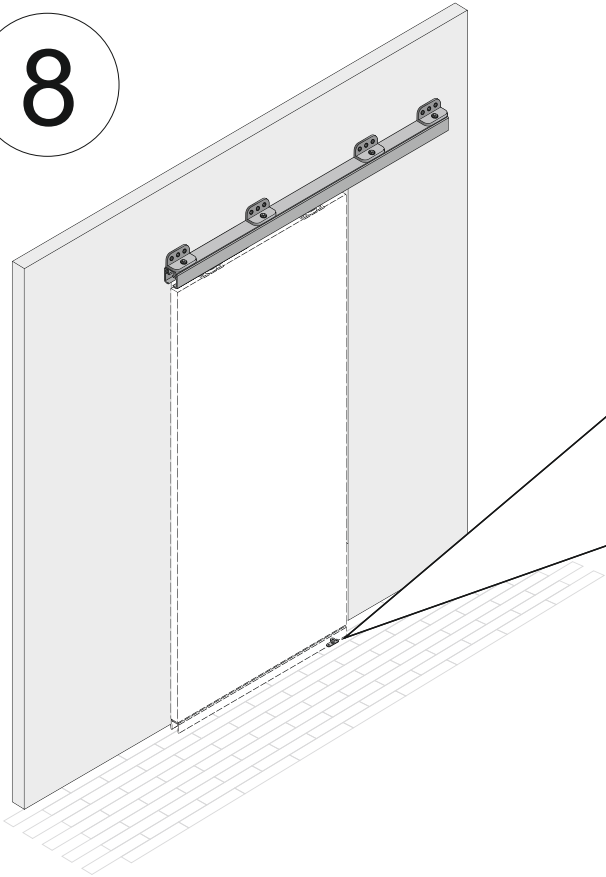
B



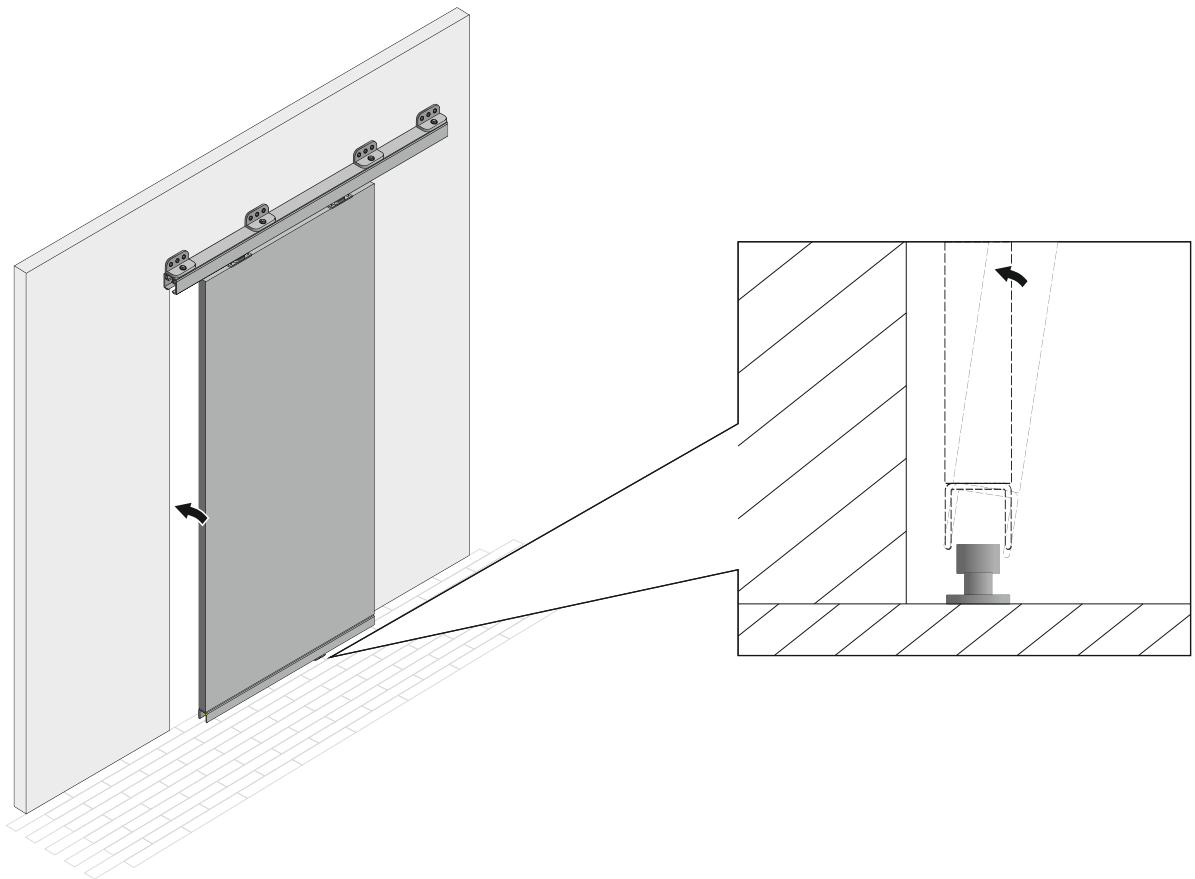
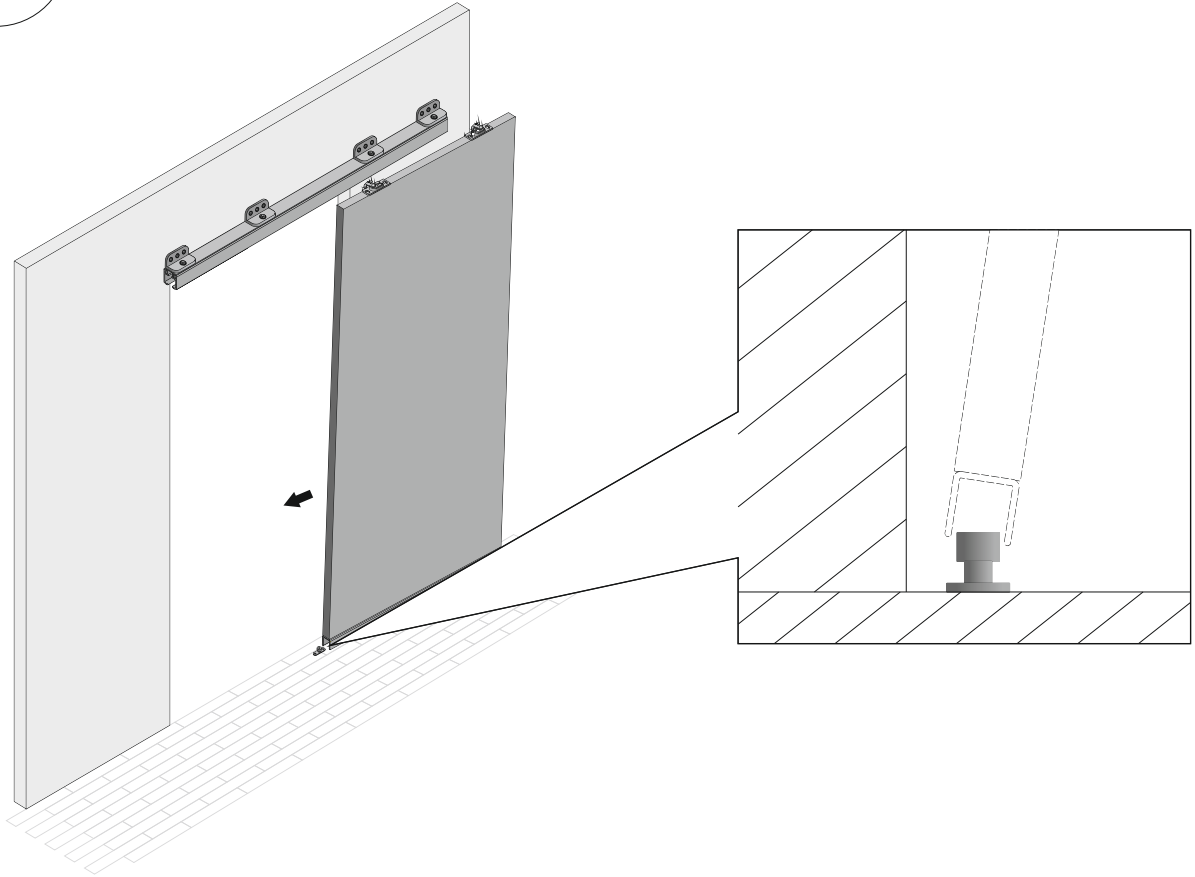
7



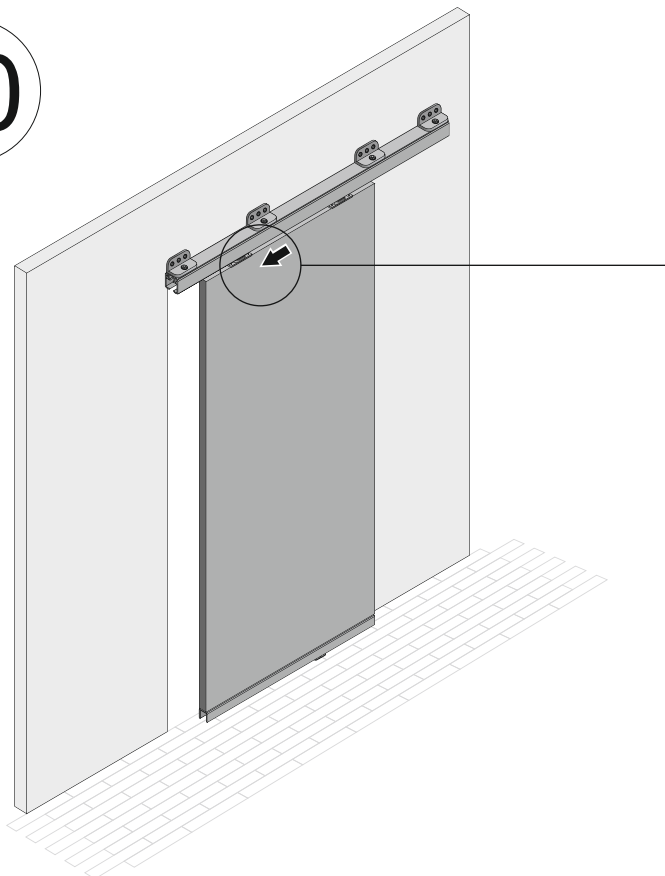
8



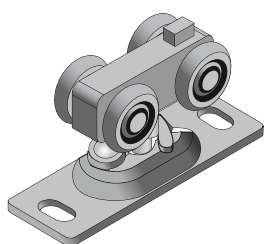
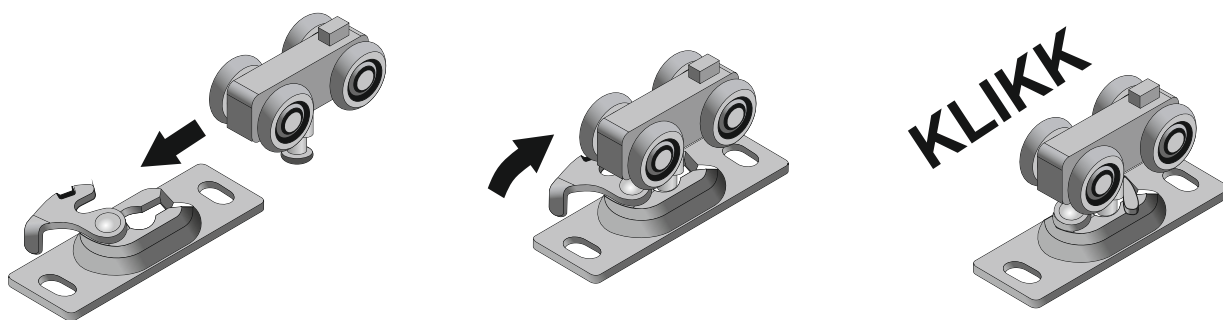
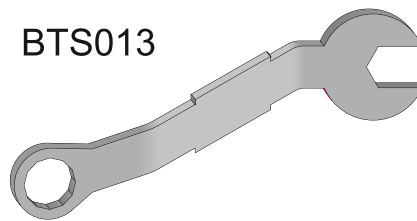
9



10

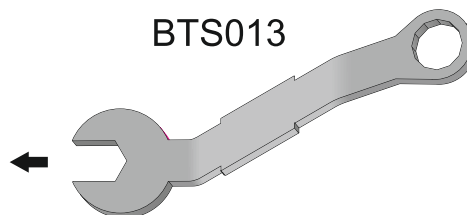


BTS013



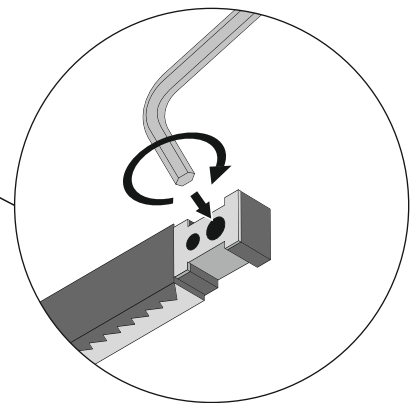
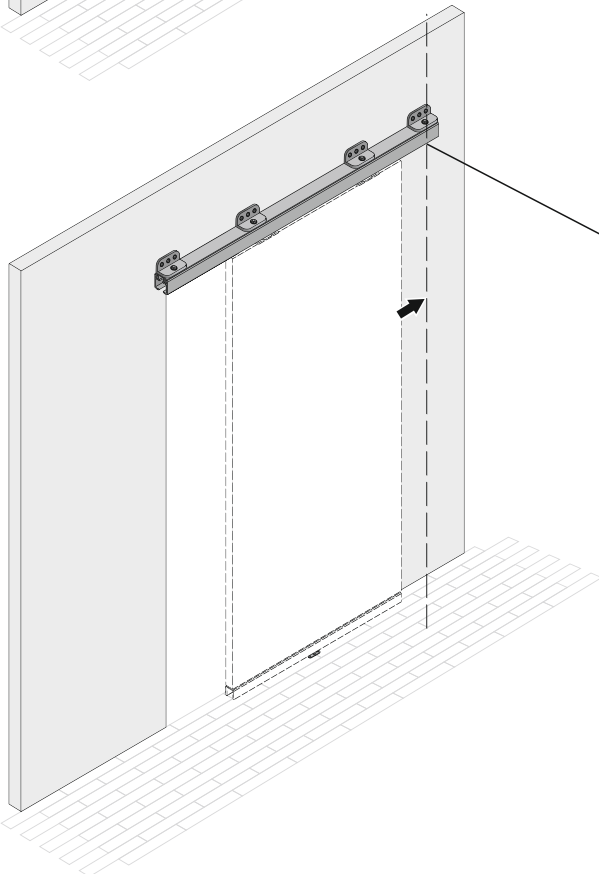
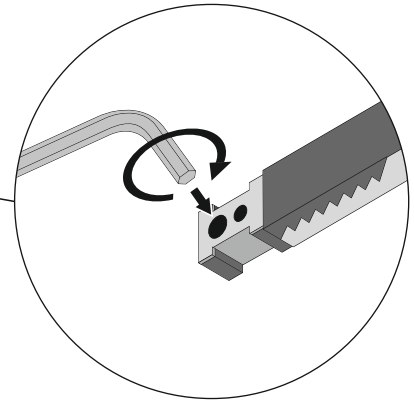
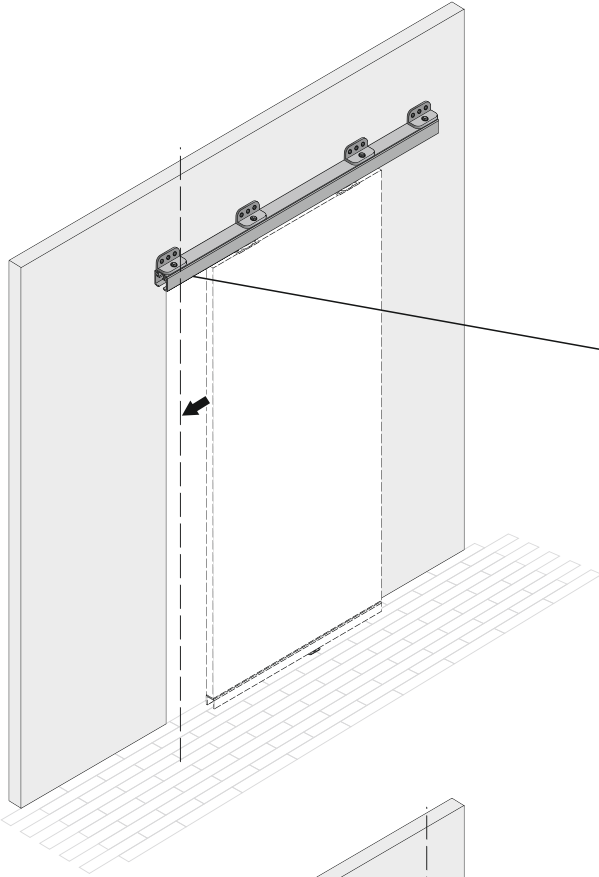
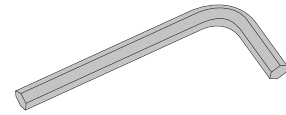
10 mm

BTS013



11

BTS012



12

BTS007

